

LA/LAK 191/S



Peugeot

207

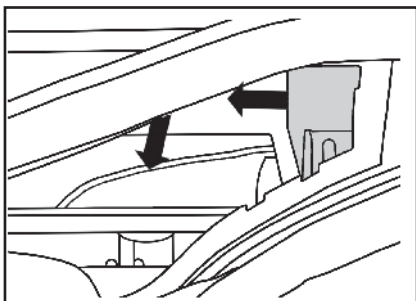
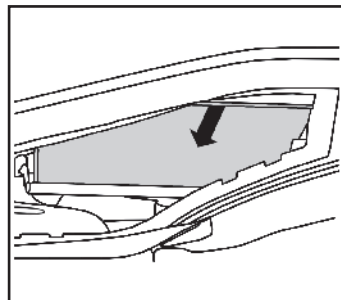
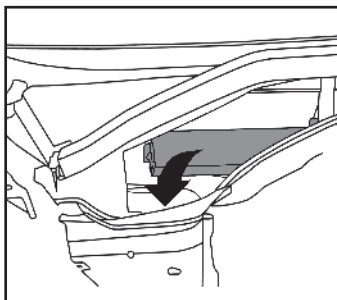
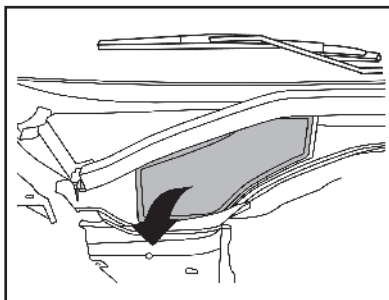
02/06 

© MAHLE

LA/LAK 191/S



Peugeot 207



© MAHLE